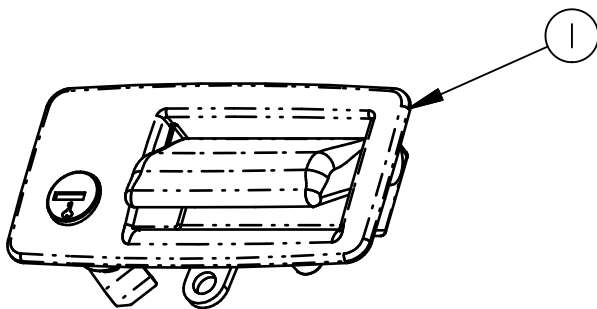


REV.	ECN	BY	CHK'D	REVISION
0	RLSE	BJP 1/4/99	JJH 1/5/99	RELEASED

13	-	DR, COMPT, SM	1
12	80802-00	CLIP, ROD, LH, 7L, .219 DIA.	3
11	80801-00	CLIP, ROD, RH, 7R, .219 DIA.	1
10	-	NUT, HEX, 5/16	2
9	15434-01	BOLT/WSHR 1.111 SHLDR 5/16-18	2
8	-	BRACKET, LATCHBOLT	2
7	-	BRACKET-LH	1
6	-	BRACKET-RH	1
5	15429-01	ROD, .219X6.91, 4PTS	2
4	13980-01	BRACKET, MOUNTING	1
3	13776-01	ASSY, SGLRTR, MINI, LH	1
2	13374-01	ASSY, SGLRTR, MINI, RH	1
1	12395-37	030-1100, LGB, TM901-950, 2PT	1



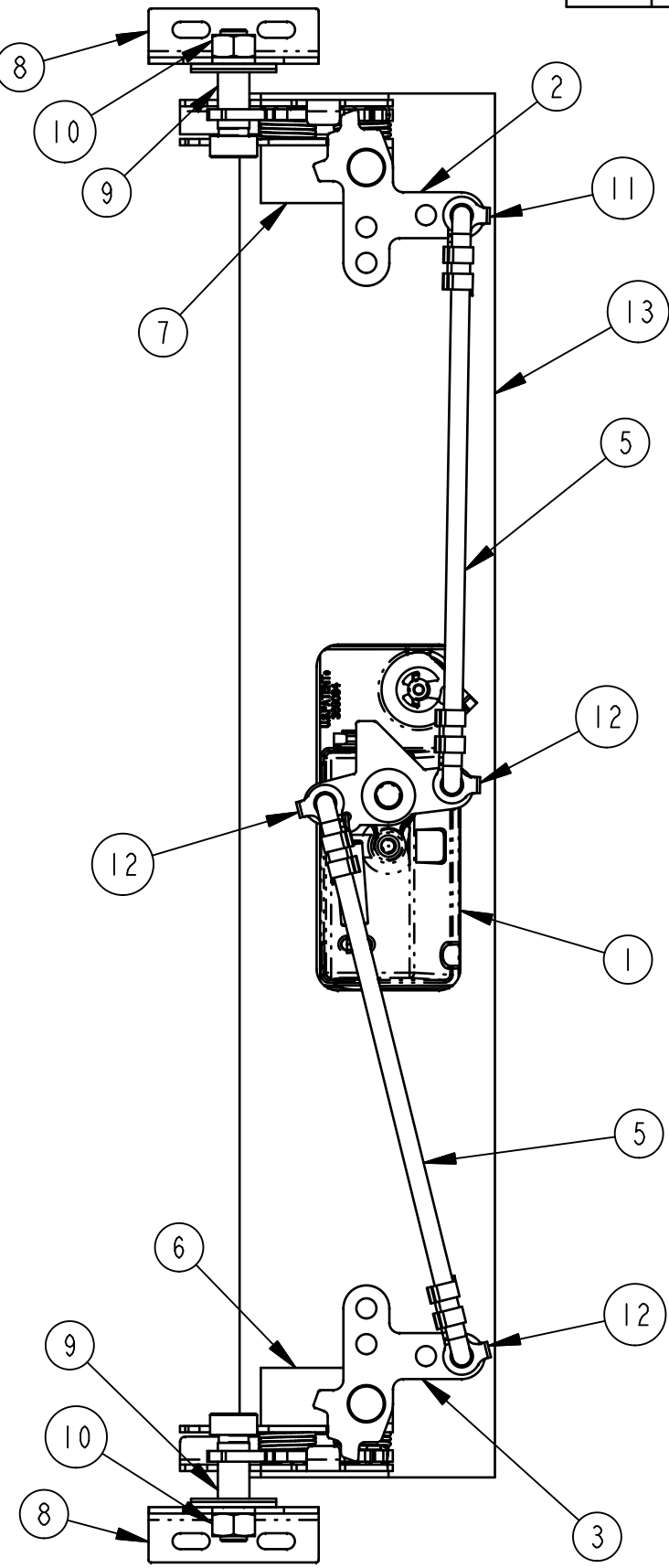
ISO VIEW

PRODUCT SUPPORT DRAWING
 Individual part dimensions are for reference only. Refer to individual part drawings for complete dimensions and specifications.

SHEET 1 OF 2

DRAWN BY	BJP	1/4/99
CHK'D BY	JJH	1/5/99
RLSE DATE	RCH	1/5/99

TYPICAL APPLICATION	
SMALL COMPARTMENT DOOR	
SCALE	PART NAME
1:2	030-1100, 050-0500, DR, COMPT, SM
A	REV.
	PART NO.
0	TY030-1100A



INSIDE VIEW
BRACKET (ITEM 4) NOT SHOWN

PRODUCT SUPPORT DRAWING
Individual part dimensions are for reference only. Refer to individual part drawings for complete dimensions and specifications.

SHEET 2 OF 2

DRAWN BY	BJP	1/4/99
CHK'D BY	JJH	1/5/99
RLSE DATE	RCH	1/5/99

TYPICAL APPLICATION

SMALL COMPARTMENT DOOR

SCALE	PART NAME
1:2	030-1100, 050-0500, DR, COMPT, SM

A

REV.	PART NO.
0	TY030-1100A